

Make3
architecture / planning / design

1010 Bridge Avenue NW
Atlanta, Georgia 30318 | 404.876.3010
www.make3.com

WileyWilson
Consulting Engineers

1001 Peachtree Dunwoody Rd, Suite 110
Atlanta, GA 30328 404.252.5000

NOT RELEASED FOR
CONSTRUCTION
S.D.P.T.B.I.G.H.

The drawings and all representations
are copyrighted and the property of
Make3 and its related companies
and may not be used in any way
without their permission.
© 2017

GEORGIA INSTITUTE OF TECHNOLOGY
BRITAIN DINING HALL RENOVATION
645 TECHWOOD DRIVE NW
ATLANTA, GA 30332

DRAWN BY	CHECKED BY
RDY	RCC
DATE	
10/17/2025	

REVISION

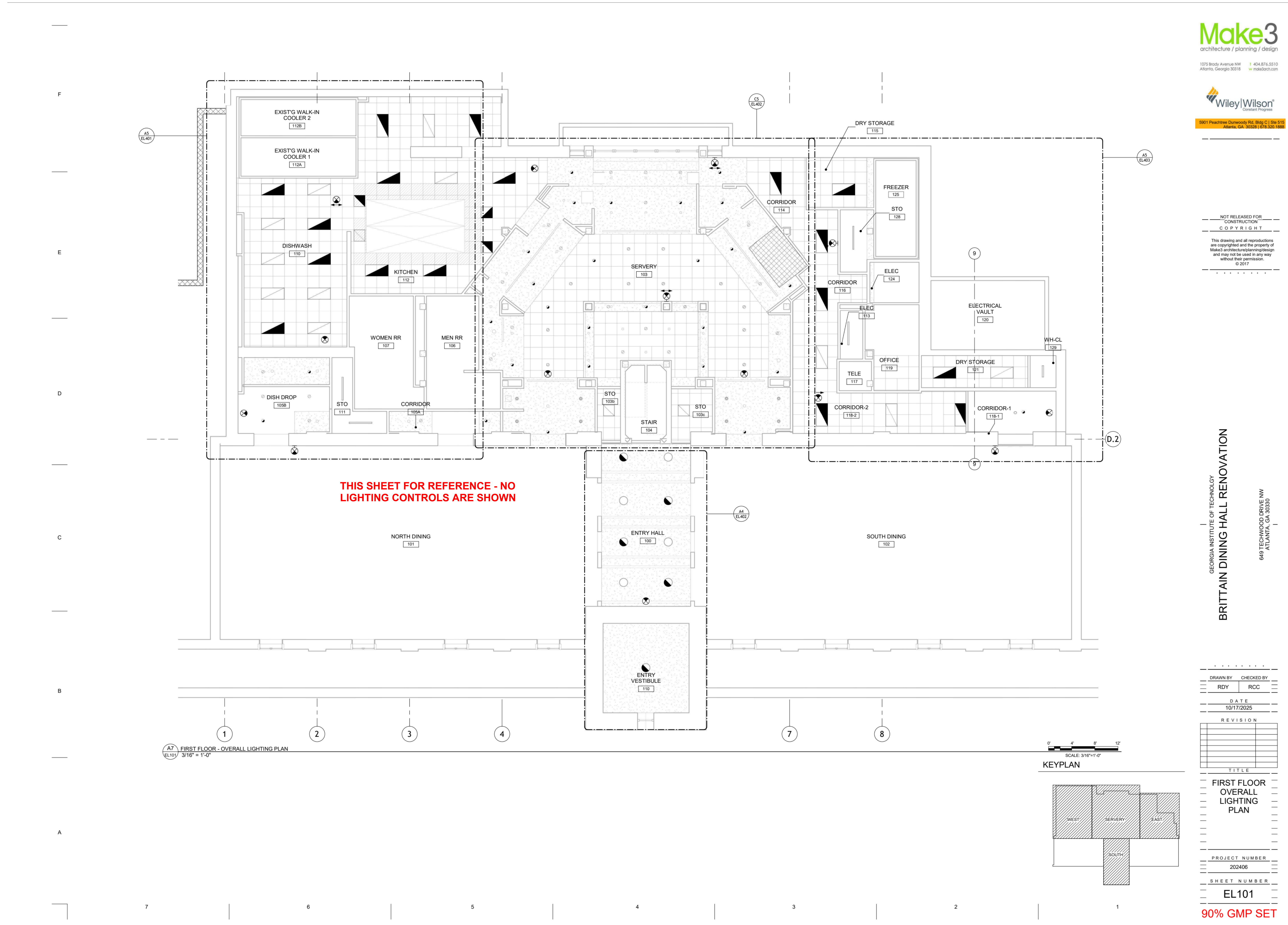
TITLE
**FIRST FLOOR
OVERALL
LIGHTING
PLAN**

PROJECT NUMBER
202408

SHEET NUMBER

EL101

90% GMP SET



A7 FIRST FLOOR - OVERALL LIGHTING PLAN
3/16" = 1'-0"

SCALE SHEET
KEYPLAN

EL101 OVERALL LTG
3/16" = 1"

Revision	Date
A	2/19/2025
Date:	11/3/2025
Scale:	3/16" = 1'
Drawn By:	EJUIERS
Project:	676662 / 25-78942
DWG Ref:	
Sheet:	EL101 OVERALL LTG

WIRE LEGEND EL401 WEST LTG PLAN	
	LV Low Voltage Low voltage cable



PRODUCT LEGEND EL401 WEST LTG PLAN	
6	OS1 CM PDT 10 Ceiling Mount Sensor, Passive Dual Technology, Large Motion / Extended Range 360° Lens
6	PP2 PP20 Power Pack
4	SW1 sPODMA WH Wall Switch
1	SW2 sPODMA SA WH Wall Switch, Vacancy (default) or Auto-On



1010 Wood Avenue NW
Atlanta, Georgia 30318 | 404.876.3310
www.make3.com

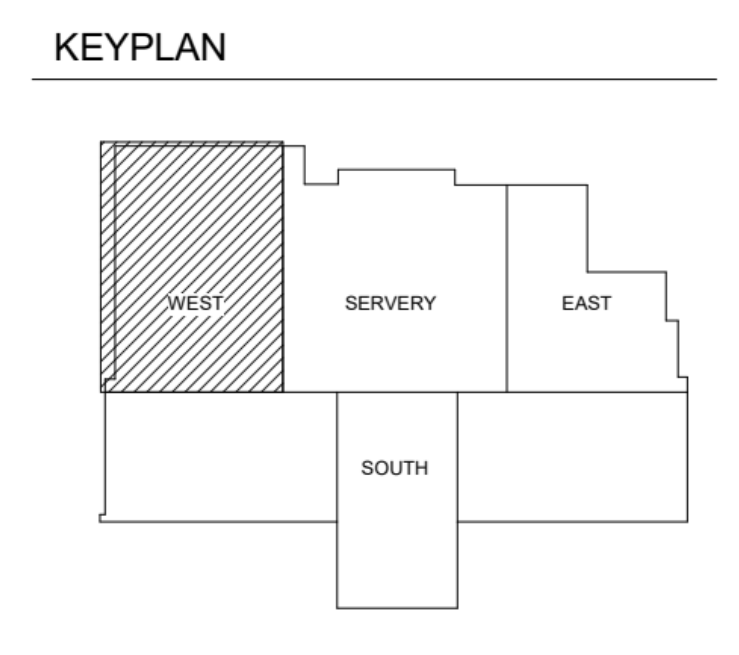
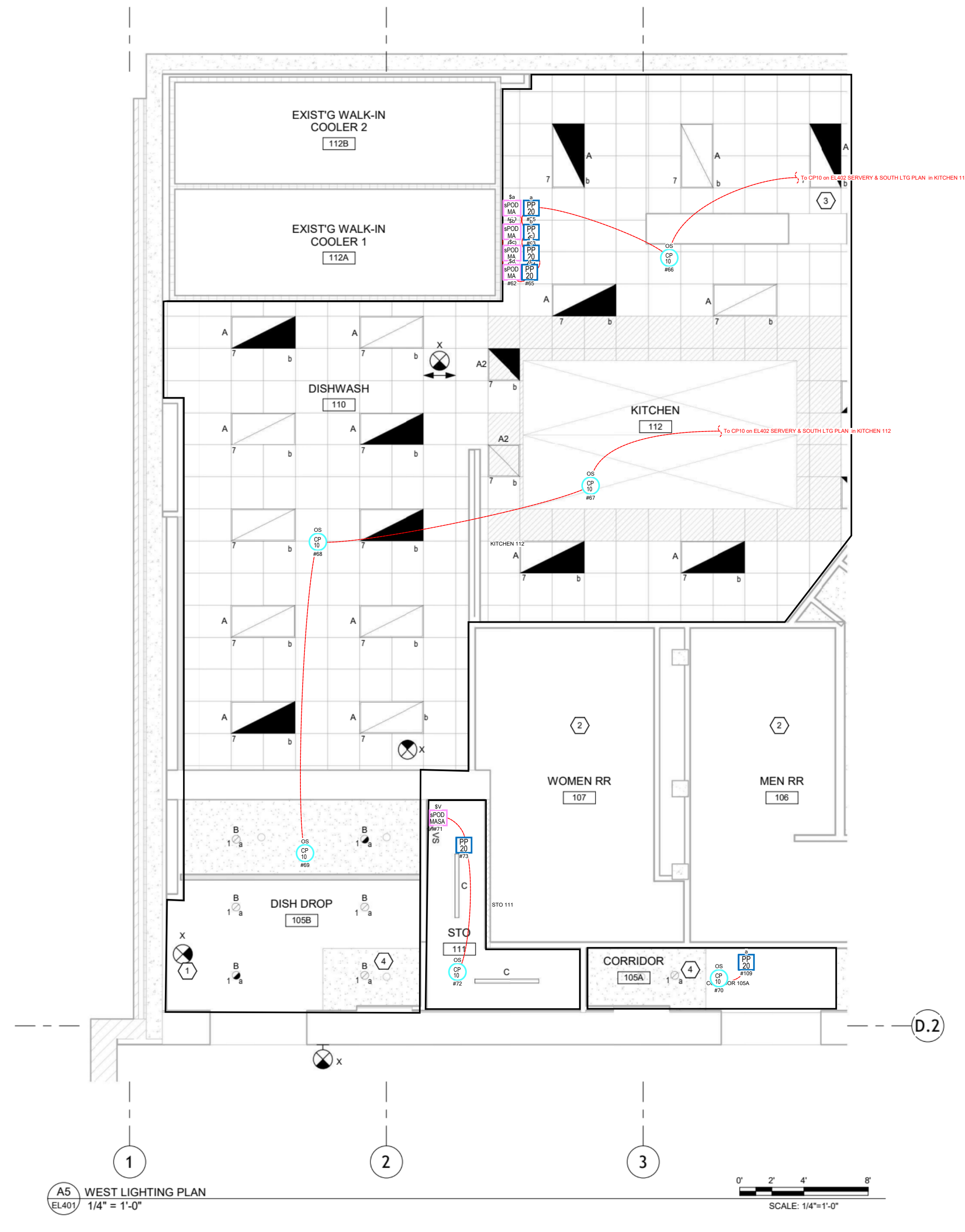


1001 Peachtree Dunwoody Rd, Ste 111
Atlanta, GA 30329 478-351

NOT RELEASED FOR
CONSTRUCTION
S.D.P.T.B.I.G.H.T.

The drawings and all representations
are copyrighted and the property of
Make3 and/or its affiliates and may not be used in any way
without their permission.
© 2017

GENERAL SHEET NOTES	KEYNOTES
<p>1. ENCLOSED SPACES HAVE INDEPENDENT LIGHTING CONTROLS.</p> <p>2. THE FOLLOWING LIGHTING FIXTURE MANUFACTURERS WILL BE CONSIDERED EQUAL, PROVIDED THAT THE SUBSTITUTED LUMINAIRE IS SIMILAR IN SIZE, AESTHETIC, FINISH, MATERIAL, INSTALLATION, MAINTAINABILITY, AND PERFORMANCE (INCLUDING, BUT NOT LIMITED TO: DISTRIBUTION, OPTICAL DISTRIBUTION, EFFICACY, DIMMING RANGE, COLOR QUALITY, AND COLOR CONSISTENCY) TO THAT SPECIFIED. ACCEPTABLE ALTERNATE LIGHTING, INCLUDING, BUT NOT LIMITED TO: LED STRIP LIGHTING, COLUMN LIGHTING, AND ETC. REQUIRES LUMINAIRE BY MANUFACTURER OTHER THAN THOSE LISTED MAY ALSO BE CONSIDERED EQUAL, PROVIDED THAT THEY MEET THE ABOVE CRITERIA. FOR EQUALS FROM MANUFACTURERS OTHER THAN THOSE LISTED, CONTACT ENGINEER FOR APPROVAL PRIOR TO BID.</p> <p>3. LUMINAIRE TYPE MARK WITH HALF SHADE INDICATES EMERGENCY LUMINAIRE. PROVIDE INTEGRAL BATTERY UNIT WIRED SO THAT POWER LOSS INITIATES OPERATION OF BATTERY UNIT TO HALF LUMEN OUTPUT MINIMUM.</p> <p>4. LIGHTING CONTROL STRATEGIES ARE DIAGRAMMATIC ONLY TO SHOW CONTROL INTENT AND DEVICES INVOLVED. REFER TO LIGHTING FLOOR PLANS ON SHEET FOR ACTUAL LIGHTING LAYOUTS, CIRCUITS, CONTROL ZONES, AND DEVICE LUMINAIRE TYPES, QUANTITIES, AND LOCATIONS.</p> <p>5. WIRE EMERGENCY FIXTURES EXIST SIGNS AND EMERGENCY FIXTURE BATTERY BACKUP FROM UPS/STREAM OF ANY SWITCHING DEVICES USE LOCAL CIRCUIT BEING SPACE.</p> <p>6. ALL EMERGENCY LIGHTING SHALL UTILIZE INTEGRAL BATTERY PACKS.</p> <p>7. DEMOLISH LIGHTING CONTROLS, AND ASSOCIATED CIRCUITRY IN KITCHEN, SERVERY, AND ADJACENT AREAS WITHIN LIMITS OF WORK BACK TO SOURCE, EXCEPT WHERE INDICATED TO REMAIN OR TO BE MODIFIED.</p>	<p>1. REPLACE EXISTING EXIT SIGN IN SAME LOCATION WITH INDICATED EXIT SIGN.</p> <p>2. THIS SPACE IS NOT IN SCOPE. MAINTAIN OPERABILITY OF LIGHTING IN THIS SPACE.</p> <p>3. SEE SHEETS E2402 FOR LIGHTING CIRCUIT CONTINUATION AND HOME RUN.</p> <p>4. SEE SHEETS E2402 AND E2403 FOR LIGHTING CIRCUIT CONTINUATION AND HOME RUN.</p>



GEORGIA INSTITUTE OF TECHNOLOGY
BRITAIN DINING HALL RENOVATION
 649 TECHNOLOGY DRIVE NW
 ATLANTA, GA 30313

DRAWN BY	CHECKED BY
RDY	RCC
DATE	10/17/2025
REVISION	
TITLE	ENLARGED LIGHTING PLANS
PROJECT NUMBER	202408
SHEET NUMBER	EL401
	90% GMP SET

EL401 WEST LTG PLAN
3/16" = 1"

GEORGIA INSTITUTE OF TECHNOLOGY BRITAIN DINING HALL
 ATLANTA, GA

Revision	Date
A	2/19/2025
	11/3/2025
Scale:	3/16" = 1"
Drawn By:	EJUIERS
Project:	676662 / 25-76942
DWG Ref:	
Sheet:	EL401 WEST LTG PLAN

4		OS1 CM PDT 10 Ceiling Mount Sensor, Passive Dual Technology, Large Motion / Extended Range 300' Lens
2		PP2 PP20 Power Pack
3		SO1 WSXA PDT SA WH Wall Switch Sensor, Passive Dual Technology, Vacancy (default) or Auto-On
2		SW4 SPODMA 3X WH Wall Switch, Multi-Way

WIRE LEGEND
EL403 EAST LTG PLAN

	LV Low Voltage Low voltage cable
--	--

Make3
architecture / planning / design

1000 Peachtree Avenue NE
Atlanta, Georgia 30308

404.876.3010
www.make3.com

WileyWilson
Consulting Engineers

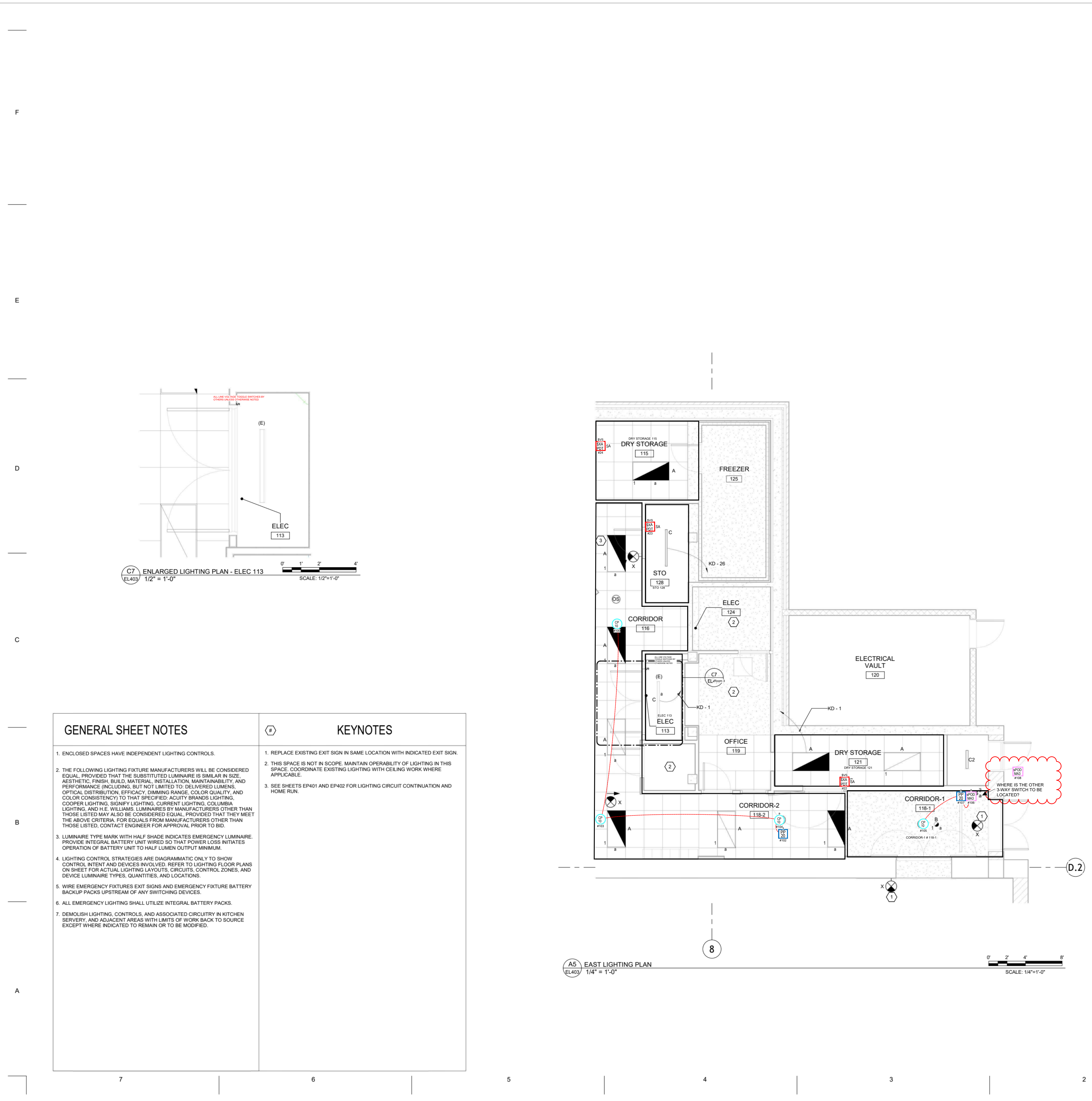
1001 Peachtree Dunwoody Rd, Suite 100
Atlanta, GA 30328 478-451-1000

NOT RELEASED FOR
CONSTRUCTION
S.O.P.T.B.I.G.H.T.

The drawings and all representations
are copyrighted and the property of
Make3 and WileyWilson Engineering
and may not be used in any way
without their permission.
© 2017

GEORGIA INSTITUTE OF TECHNOLOGY
BRITAIN DINING HALL RENOVATION
649 TECHWOOD DRIVE NW
ATLANTA, GA 30332

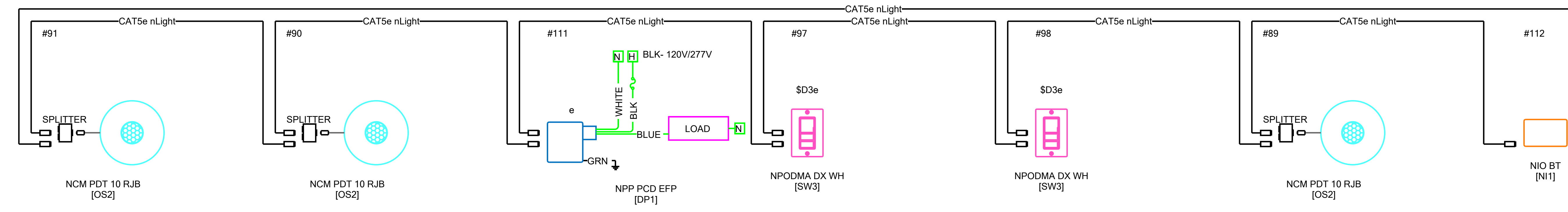
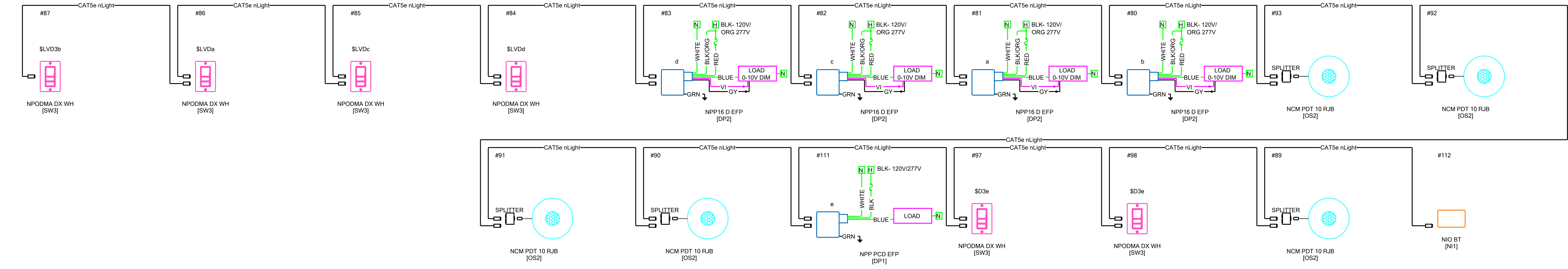
DRAWN BY	CHECKED BY
RDY	RCC
DATE	10/17/2025
REVISION	
TITLE	ENLARGED LIGHTING PLANS
PROJECT NUMBER	202408
SHEET NUMBER	EL403
	90% GMP SET



GENERAL SHEET NOTES	KEYNOTES
<p>1. ENCLOSED SPACES HAVE INDEPENDENT LIGHTING CONTROLS.</p> <p>2. THE FOLLOWING LIGHTING FIXTURE MANUFACTURERS WILL BE CONSIDERED EQUAL PROVIDED THAT THE SUBSTITUTED LUMINAIRE IS SIMILAR IN SIZE, AESTHETIC FINISH, BEAMS MATERIAL, INSTALLATION, MAINTENANCE, AND PERFORMANCE (INCLUDING, BUT NOT LIMITED TO, DELIVERED LUMENS, OPTICAL DISTRIBUTION, EFFICACY, BEAMING RANGE, COLOR QUALITY, AND COLOR CORRECTION) TO THE SPECIFIED ACQUA BRANDS LIGHTING. COOPER LIGHTING, SIGNIFY LIGHTING, CURRENT LIGHTING, COLUMBIA LIGHTING, AND ETC. WILL BE CONSIDERED EQUAL PROVIDED THAT THEY MEET THE ABOVE CRITERIA FOR EQUALS FROM MANUFACTURERS OTHER THAN THOSE LISTED. CONTACT ENGINEER FOR APPROVAL PRIOR TO BID.</p> <p>3. LUMINAIRE TYPE MARK WITH HALF SHADE INDICATES EMERGENCY LUMINAIRE. PROVIDE INTEGRAL BATTERY UNIT WIRED SO THAT POWER LOSS INITIATES OPERATION OF BATTERY UNIT TO HALF LUMEN OUTPUT MINIMUM.</p> <p>4. LIGHTING CONTROL STRATEGIES ARE DIAGRAMMATIC ONLY TO SHOW CONTROL INTENT AND DEVICES INVOLVED. REFER TO LIGHTING LOAD PLANS ON SHEET FOR ACTUAL LIGHTING LAYOUTS, CIRCUITS, CONTROL ZONES, AND DEVICE LUMINAIRE TYPES, QUANTITIES, AND LOCATIONS.</p> <p>5. WIRE EMERGENCY FIXTURES EXIT SIGNS AND EMERGENCY FIXTURE BATTERY BACKUP PACKS UPSTREAM OF ANY SWITCHING DEVICES.</p> <p>6. ALL EMERGENCY LIGHTING SHALL UTILIZE INTEGRAL BATTERY PACKS.</p> <p>7. DEMOLISH LIGHTING CONTROLS AND ASSOCIATED CIRCUITRY IN KITCHEN SERVEY, AND ADJACENT AREAS WITH LIMITS OF WORK BACK TO SOURCE EXCEPT WHERE INDICATED TO REMAIN OR TO BE MODIFIED.</p>	<p>1. REPLACE EXISTING EXIT SIGN IN SAME LOCATION WITH INDICATED EXIT SIGN.</p> <p>2. THIS SPACE IS NOT IN SCOPE. MAINTAIN OPERABILITY OF LIGHTING IN THIS SPACE. COORDINATE EXISTING LIGHTING WITH CEILING WORK WHERE APPLICABLE.</p> <p>3. SEE SHEETS EP041 AND EP042 FOR LIGHTING CIRCUIT CONTINUATION AND WIRE RUN.</p>

A EL403 EAST LTG PLAN
3/16" = 1'

Revision	Date
A	2/19/2025
Date:	11/3/2025
Scale:	3/16" = 1'
Drawn By:	EJUEERS
Project:	676662 / 25-76942
DWG Ref:	
Sheet:	EL403 EAST LTG PLAN



1 nLight - SERVERY 103
EL402 SERVERY & SOUTH LTG PLAN

GEORGIA INSTITUTE TECHNOLOGY BRITAIN DINING HALL
ATLANTA, GA

Drawing Type: Riser	Prepared For:
Revision	Date
A	2/19/2025
Date:	11/3/2024
Scale:	NOT TO SCALE
Drawn By:	EJUIERS
Project:	676662 / 25-76942
DWG Ref:	
Sheet:	Riser 1